

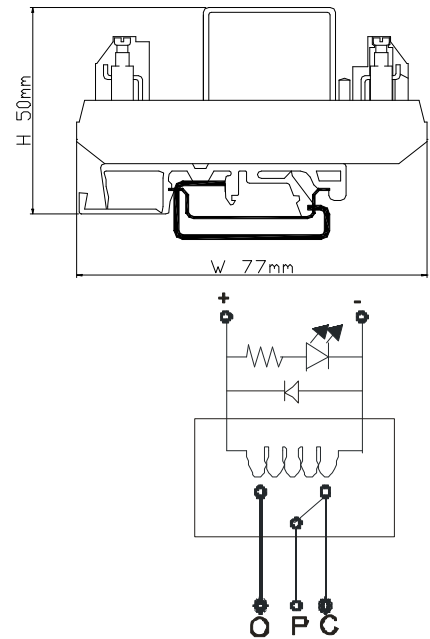
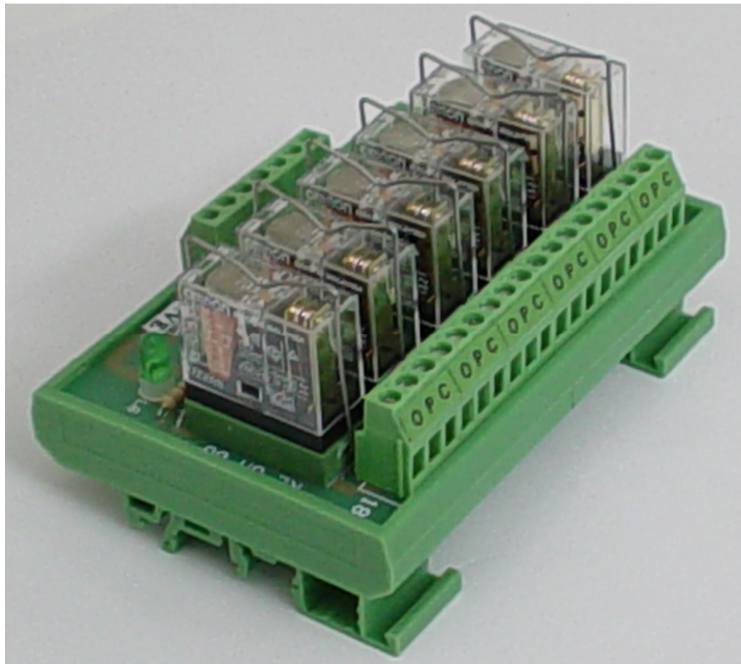
ONE CHANGE OVER DC RELAY CARD

MAKE: OMRON, JAPAN

SERIES: G2R – 1

**APPROVALS: UL, CSA, SEV,
SEMKO, TUV**

NUMBER OF CHANNELS : 6 – Channel
TYPE : Common I/P
DIMENSIONS : 112mm x 77mm x 65mm (L X W X H)



COIL RATING:

RATED VOLTAGE (V)	COIL RESISTANCE (Ω) ($\pm 10\%$)	RATED POWER (W)	RATED CURRENT (mA) ($\pm 10\%$)	MUST OPERATE VOLTAGE (V)	MUST RELEASE VOLTAGE (V)	MAX. VOLTAGE (V)
24V	1100 Ω	0.72 W	30 mA	70% min. of rated Voltage	15%V min. of rated Voltage	110%V or rated voltage

CURRENT RATING: 7.5A, 250VAC / 7.5A, 30VDC

CONNECTORS: PHOENIX MAKE, MKDS, 2.5 sq.mm

ORDER CODE: AV – RL – 06 – 1C – OM – CN – WS – 24VDC

Options: WS – with socket CN – Common negative
NS – No socket CP – Common positive

<h1>Aventek</h1>	328, Sonal Link Industrial Estate, Link Road, Kach Pada, Malad (W), Mumbai – 400 064. Tel.: 91-22-881 3880 TeleFax:91-22-888 1485 E-mail: aventek@bom3.vsnl.net.in Web: www.aventekindia.com
------------------	---