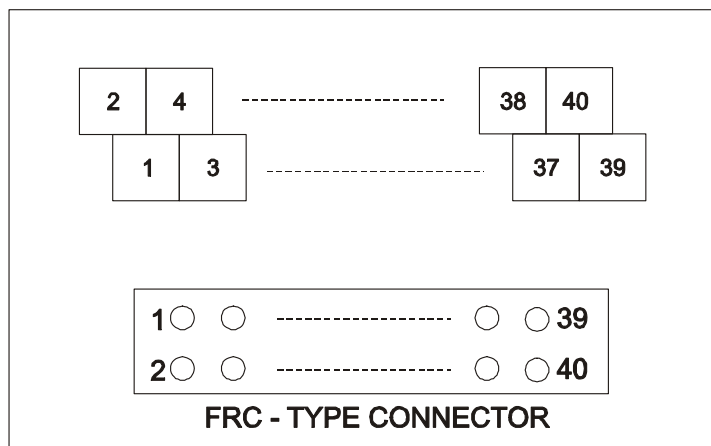
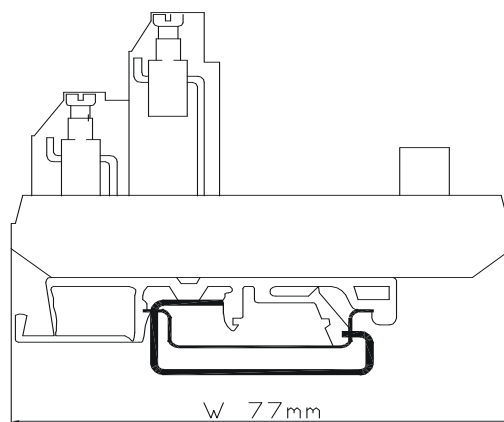
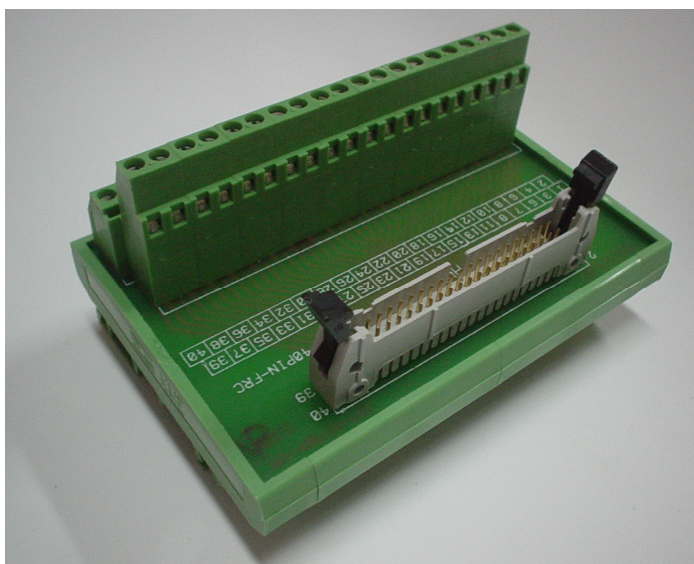


## FRC CONNECTION INTERFACE CARD

**NUMBER OF CHANNELS** : 40 PINS  
**I/P** : FRC Male Connector  
**O/P** : Each FRC Connector pin I/P is available on screw fitting terminal connection at O/P.  
**DIMENSIONS** : 112mm x 77mm x 60mm (L X W X H)



**CONNECTORS:** PHOENIX MAKE, MKDS, 2.5 sq.mm

**ORDER CODE:** AI – FRC – 40PIN

# Aventek

328, Sonal Link Industrial Estate, Link Road,  
 Kach Pada, Malad (W), Mumbai – 400 064.  
 Tel.: 91-22-881 3880    TeleFax:91-22-888 1485  
 E-mail: [aventek@bom3.vsnl.net.in](mailto:aventek@bom3.vsnl.net.in)  
 Web: [www.aventekindia.com](http://www.aventekindia.com)